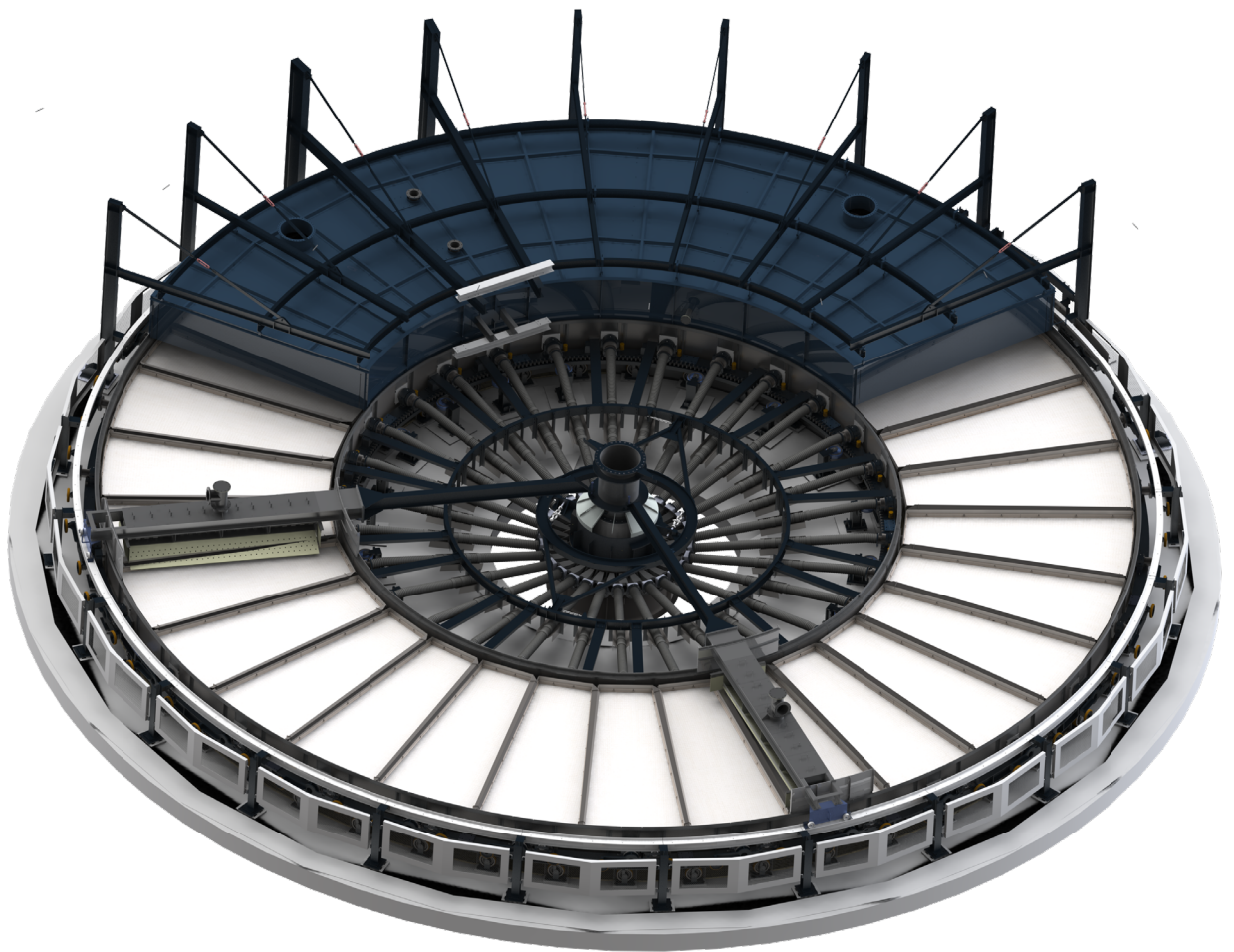


YOUR **TRUSTED PARTNER**  
IN PREMIUM FILTRATION  
& PROCESS EQUIPMENT



FILTRATION – MIXING – RECOVERY – SCRUBBING



**Profile is the equipment division of the Prayon Group, a global leader in phosphorus chemistry, delivering high-performance process technologies.**

**We help industrial players improve performance with reliable, proven solutions built on real industrial experience.**

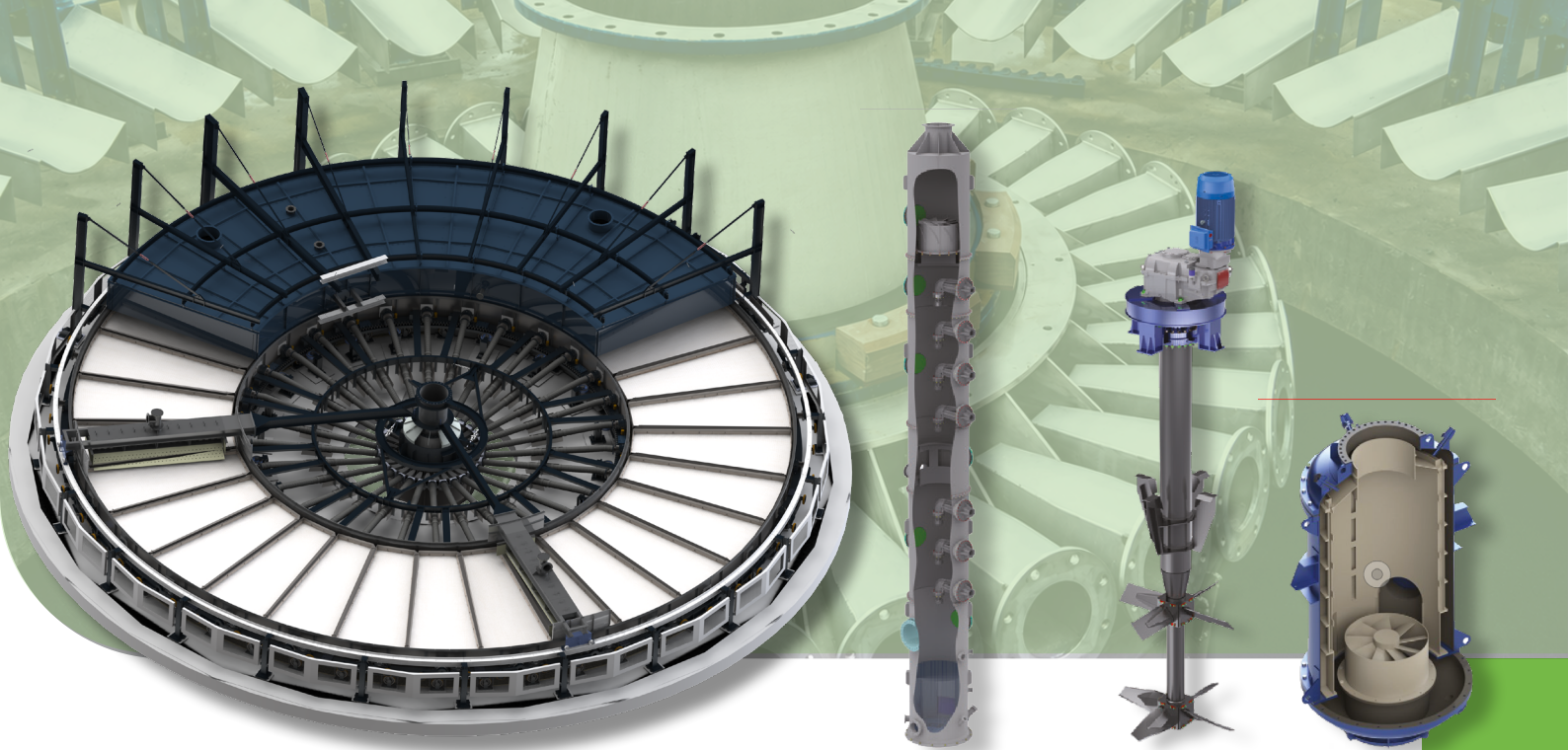
## **Designed for your performance**

**Our equipment is engineered to:**

- **Maximize production efficiency**
- **Improve product recovery**
- **Ensure long-term reliability**
- **Reduce operational risks**



***Profile designs and provides high-performance equipment for liquid and process industries.***



## Proven technologies for real industrial performance



### The Prayon Tilting Pan filter:

- Our flagship technology
- A benchmark solution in phosphoric acid production, recognized worldwide for its reliability & efficiency.



### Gas scrubbers:

- Efficient systems designed to ensure optimal gas treatment & environmental compliance.



### Agitators:

- Robust and reliable equipment ensuring efficient mixing & process stability.



### Recovery systems:

- Optimized solutions to maximize product recovery & process efficiency.

## European manufacturing that makes the difference

- Robust and long-lasting equipment
- Sustainable and efficient process solutions
- Improves production performance and reliability
- Full control of the supply chain



200+

*Prayon filters installed worldwide*

35+

*years of industrial expertise*

65%

*of phosphoric acid projects equipped worldwide\**

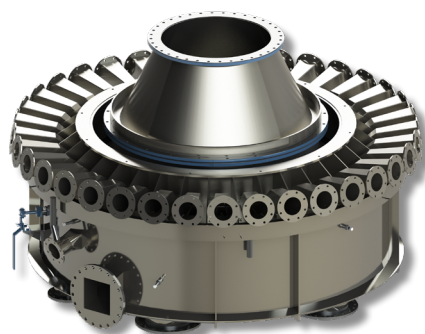
*\*Excluding China – Source: CRU data, 2024*

# Supporting excellence in phosphoric acid production and beyond.

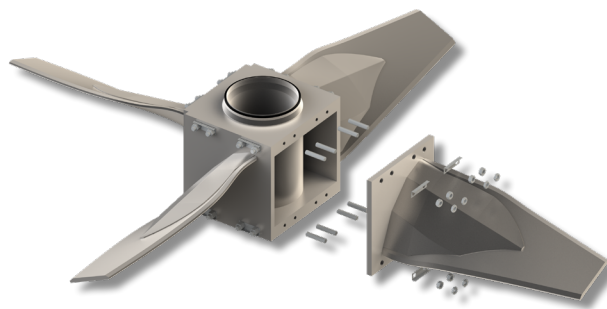


## Original spare parts for optimal performance

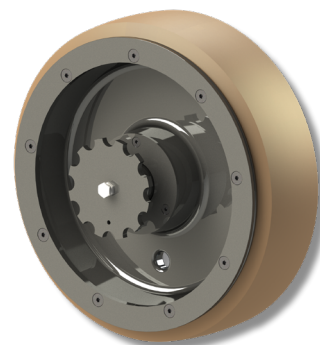
Profile provides original spare parts fully compliant with your equipment specifications. Ensuring reliability, optimal performance and operational safety.



Distributor for Prayon filter



Blades for Profile's agitator



Support wheel for Prayon filter

## Our commitment

- Precision-engineered components
- Highest quality standards
- Fast & reliable supply
- Long-term equipment support





## Your partner at every stage

At Profile, we believe strong partnerships, trust and collaboration are the foundation of industrial success.

From design to long-term operation, Profile supports your installations throughout their entire lifecycle.

Combining industrial expertise and Prayon technologies, we help you achieve reliable performance, efficiency and peace of mind.

## Our experts deliver

From engineering design to supply chain coordination, manufacturing supervision, logistics and on-site services, our experts work alongside customers to ensure optimal project execution and operational performance.

- Comprehensive project support
- Reactive troubleshooting and technical assistance
- Audits and predictive maintenance
- Continuous performance optimization



# Let's improve your process performance!

For more than 35 years, Profile has been delivering **high-performance process equipment** to demanding industries worldwide.

Recognized for its expertise, Profile supports key sectors such as phosphate processing, metals & rare earths with reliable, long-lasting solutions.

**Profile office:**

Rue de la Digue 22, 4400 Flémalle, BELGIUM

**Phone:**

+32 4 229 11 43

**Mail:**

[profile@prayon.com](mailto:profile@prayon.com)

**Profile**<sup>®</sup>  
BY PRAYON

[WWW.PRAYON.COM/EQUIPMENT](http://WWW.PRAYON.COM/EQUIPMENT)

